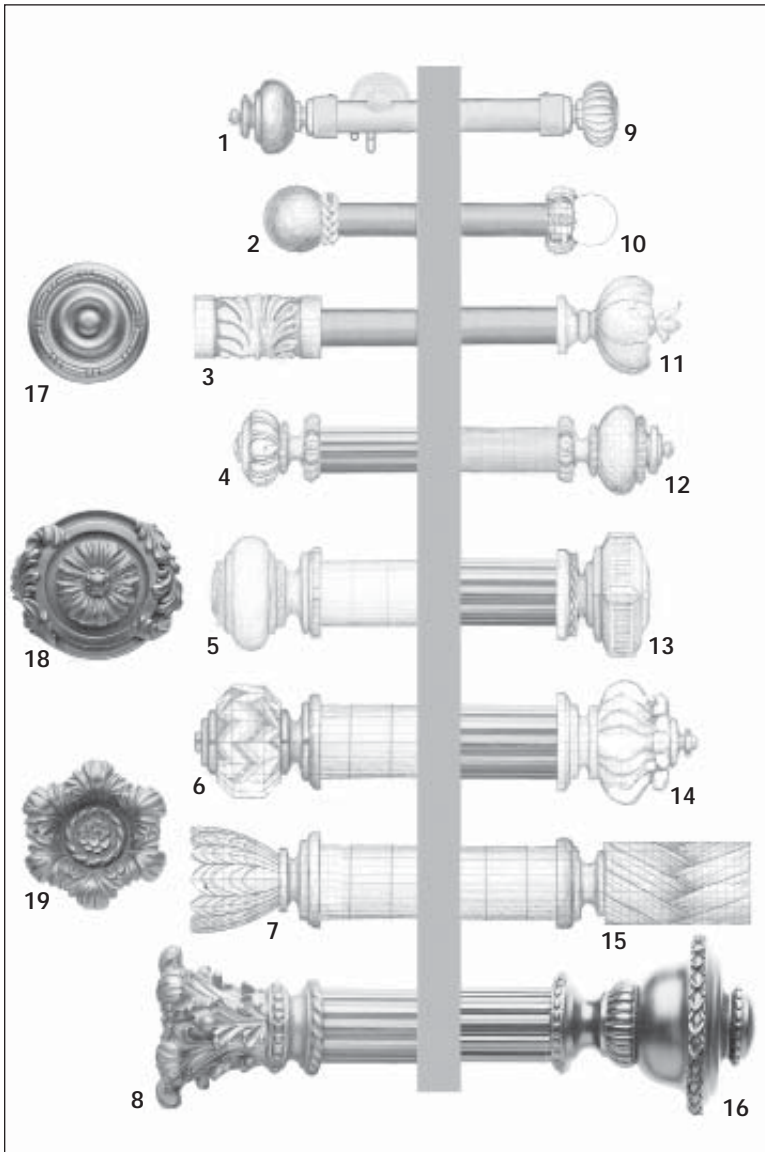


PORTFOLIO - Traditional



1. Nora with 1" Cuff + Traditional Collar  
1" Hand Drawn Traverse System  
with Bronze components  
Shown in Java
2. Chaplin, 1" Metal Pole  
Shown in Timber  
1" Braided Band  
Shown in Antique Gold Leaf
3. Sophie, 1¼" Metal Pole  
Shown in Antique Gold Leaf
4. Astor Jewel, 1⅜" Fluted Wood Pole  
Shown in Halo
5. Sapphire, 2" Smooth Wood Pole  
Shown in Barnwood
6. Davies, 2¼" Smooth Wood Pole  
Shown in Mystic
7. Beau, 2¼" Smooth Wood Pole  
Shown in Amulet
8. Lyon, 2¼" Fluted Wood Pole  
Shown in Urban Bronze
9. Elm with 1" Cuff + Traditional Collar  
1" Metal Pole  
Shown in Silver Maple
10. White Pearl Jewel, 1" Metal Pole  
Jewel Base and Pole shown in Firelight
11. Rachel, 1¼" Metal Pole  
Shown in Art Bronze
12. Turner Jewel, 1⅜" Smooth Wood Pole  
Shown in Antique Gold
13. Emerald, 2" Fluted Wood Pole  
Shown in Linen
14. Louise, 2¼" Fluted Wood Pole  
Shown in Moonlight
15. Quincy, 2¼" Smooth Wood Pole  
Shown in New Age Bronze
16. Kenley, 2¼" Fluted Wood Pole  
Shown in Parchment
17. Blois Resin Holdback Medallion  
4" Traditional Resin Stem  
Shown in Spicewood
18. Isabelle Resin Holdback Medallion  
4" Traditional Resin Stem  
Shown in Firelight
19. Lyon Resin Holdback Medallion  
4" Traditional Resin Stem  
Shown in Titanium