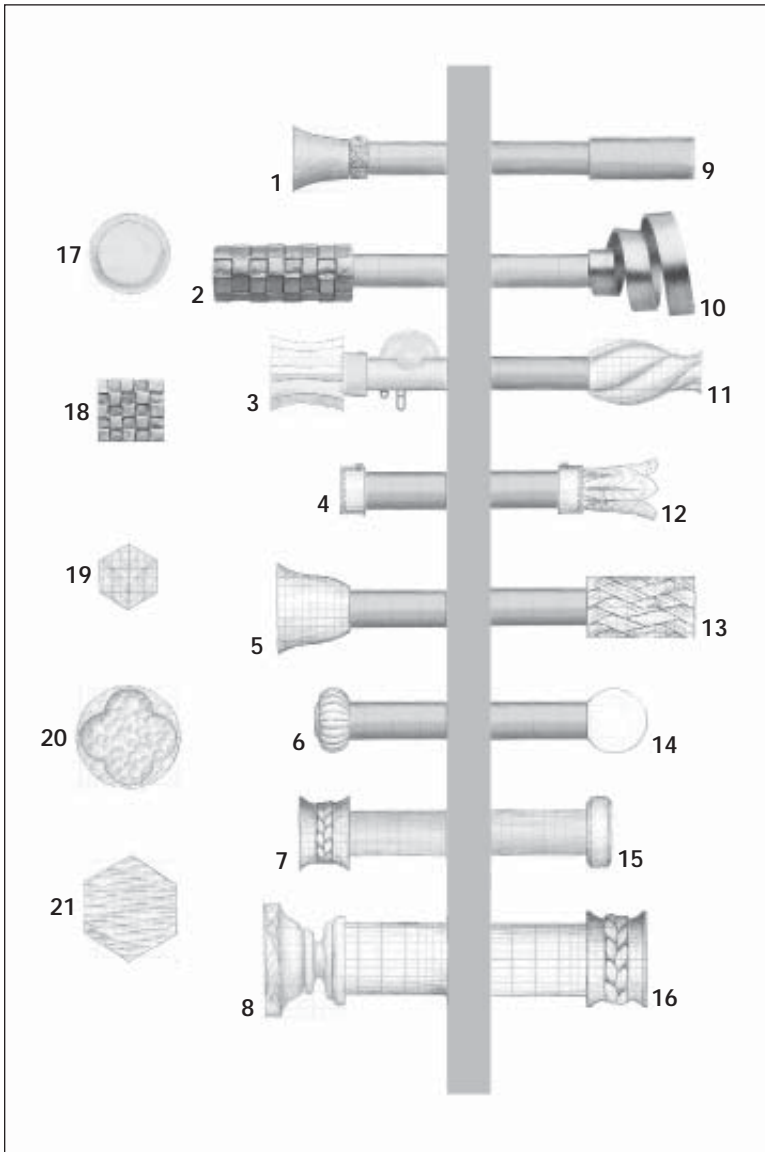


PORTFOLIO - Modern



1. Lex, 1" Metal Pole
Shown in Urban Bronze
1" Crystal Metal Band
2. Achilles, 1" Metal Pole
Shown in Gossamer
3. Wilshire with 1" Cuff
1" Hand Drawn Traverse System with
Gold components
Shown in Goldenrod
4. Skye End Cap, 1 1/4" Metal Pole
Shown in Dark Chocolate
5. Clara, 1 1/4" Metal Pole
Shown in Starlet
6. Elm, 1 1/4" Metal Pole
Shown in Firelight
7. Jollette, 1 3/8" Smooth Wood Pole
Shown in Amulet
8. Paris, 2 1/4" Smooth Wood Pole
Shown in Titanium
9. Cole, 1" Metal Pole
Shown in Mink
10. Strato, 1" Metal Pole
Shown in Black
11. Beverly, 1" Metal Pole
Shown in Halo
12. Pickford with 1 1/4" Cuff, 1 1/4" Metal Pole
Shown in Andiron
13. Fairbanks, 1 1/4" Metal Pole
Shown in Mystic
14. Chaplin, 1 1/4" Metal Pole
Shown in Barnwood
15. Aubrie End Cap, 1 3/8" Smooth Wood Pole
Shown in Antique Gold Leaf
16. Maribel, 2 1/4" Smooth Wood Pole
Shown in Eternal
17. Jem Metal Holdback Medallion, 2" Metal Stem
Shown in Shimmer
18. Achilles Metal Holdback Medallion
4" Metal Stem
Shown in White
19. Rodeo Resin Finial, 4" Metal Stem
Shown in New Age Bronze
20. Newport Resin Holdback Medallion,
4" Metal Stem
Shown in Antique Gold Leaf
21. Laguna Resin Holdback Medallion
6" Metal Stem
Shown in Java